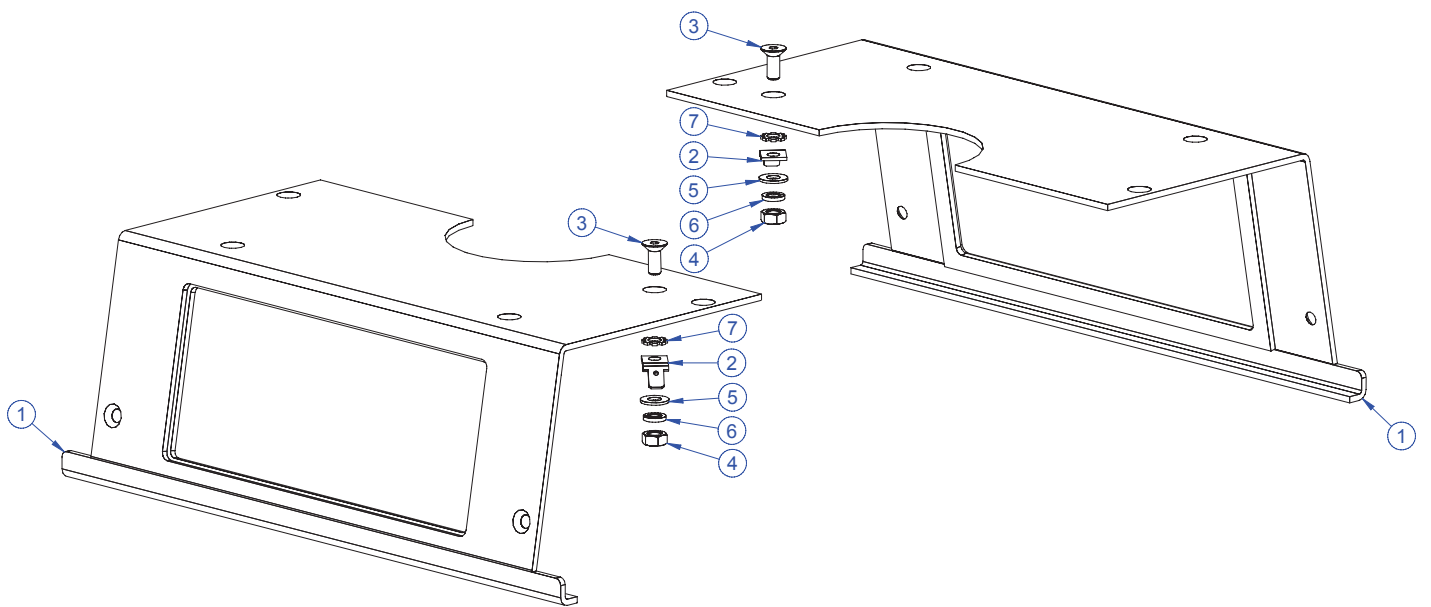
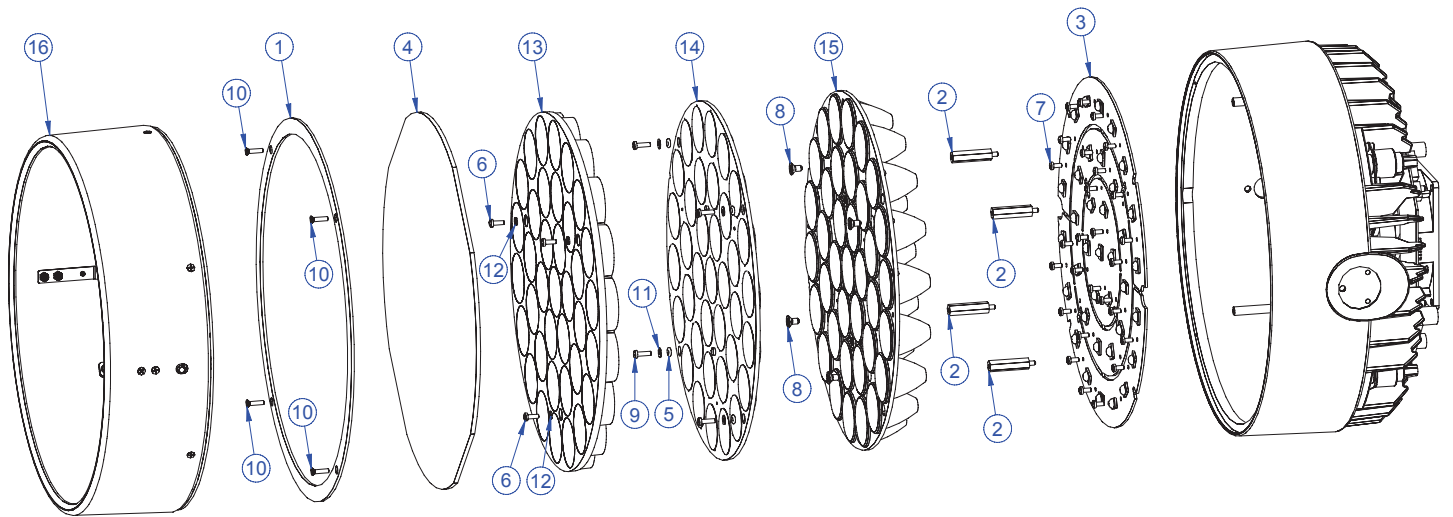


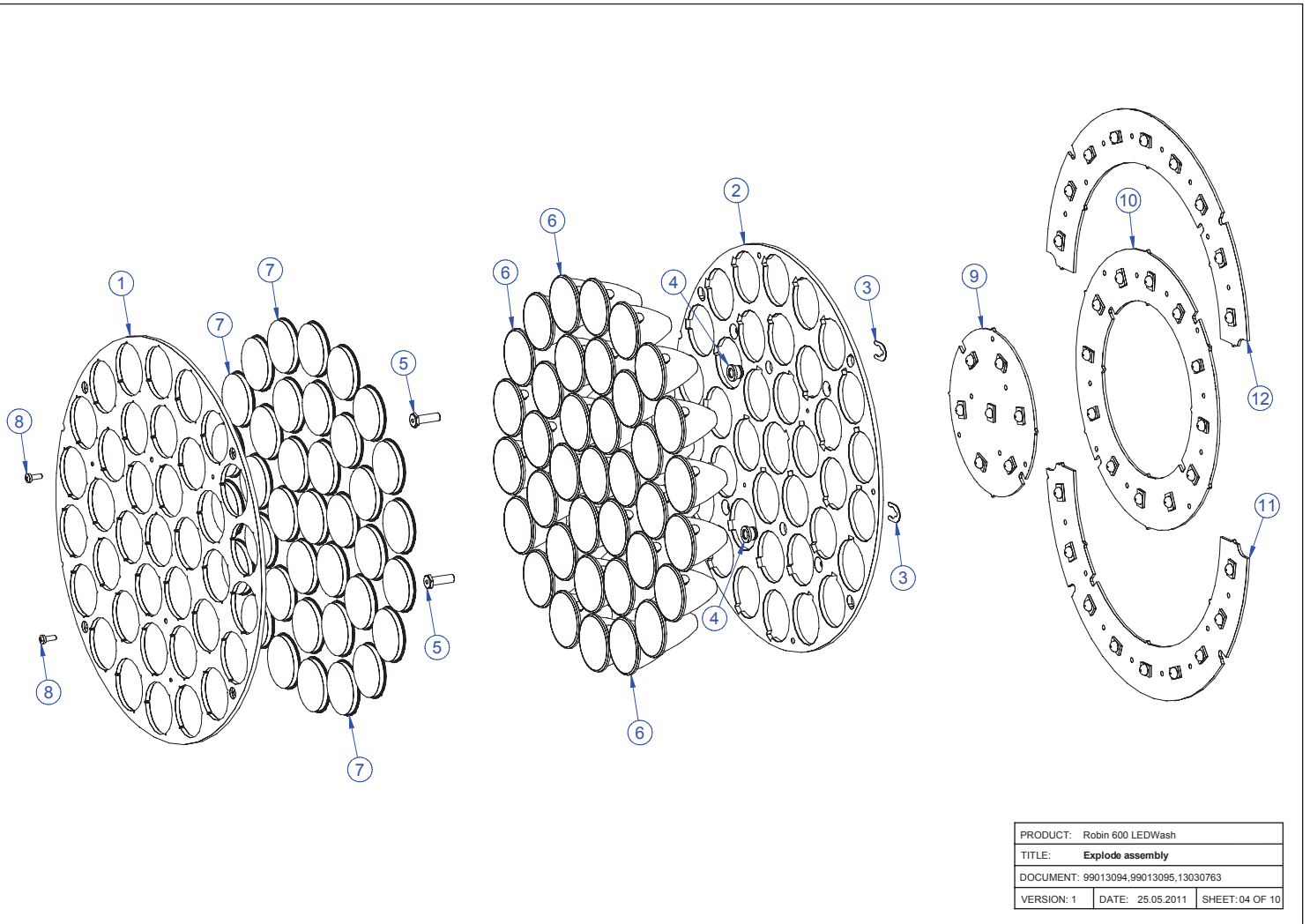
PRODUCT: Robin 600 LEDWash		
TITLE: Covers		
DOCUMENT: 99013068		
VERSION: 1	DATE: 25.05.2011	SHEET: 01 OF 10



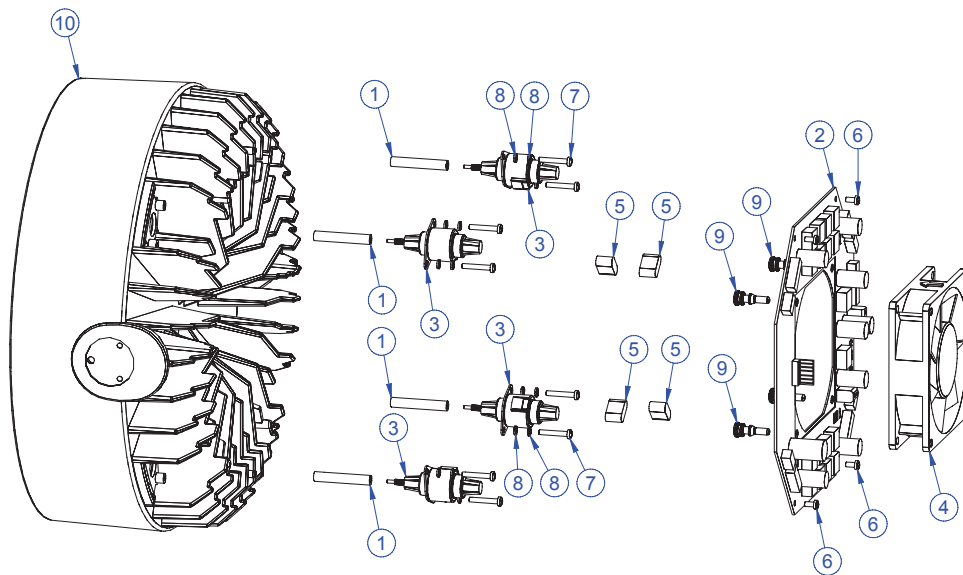
PRODUCT: Robin 600 LEDWash		
TITLE: Covers of base		
DOCUMENT: 99013061		
VERSION: 1	DATE: 07.12.2010	SHEET: 02 OF 10



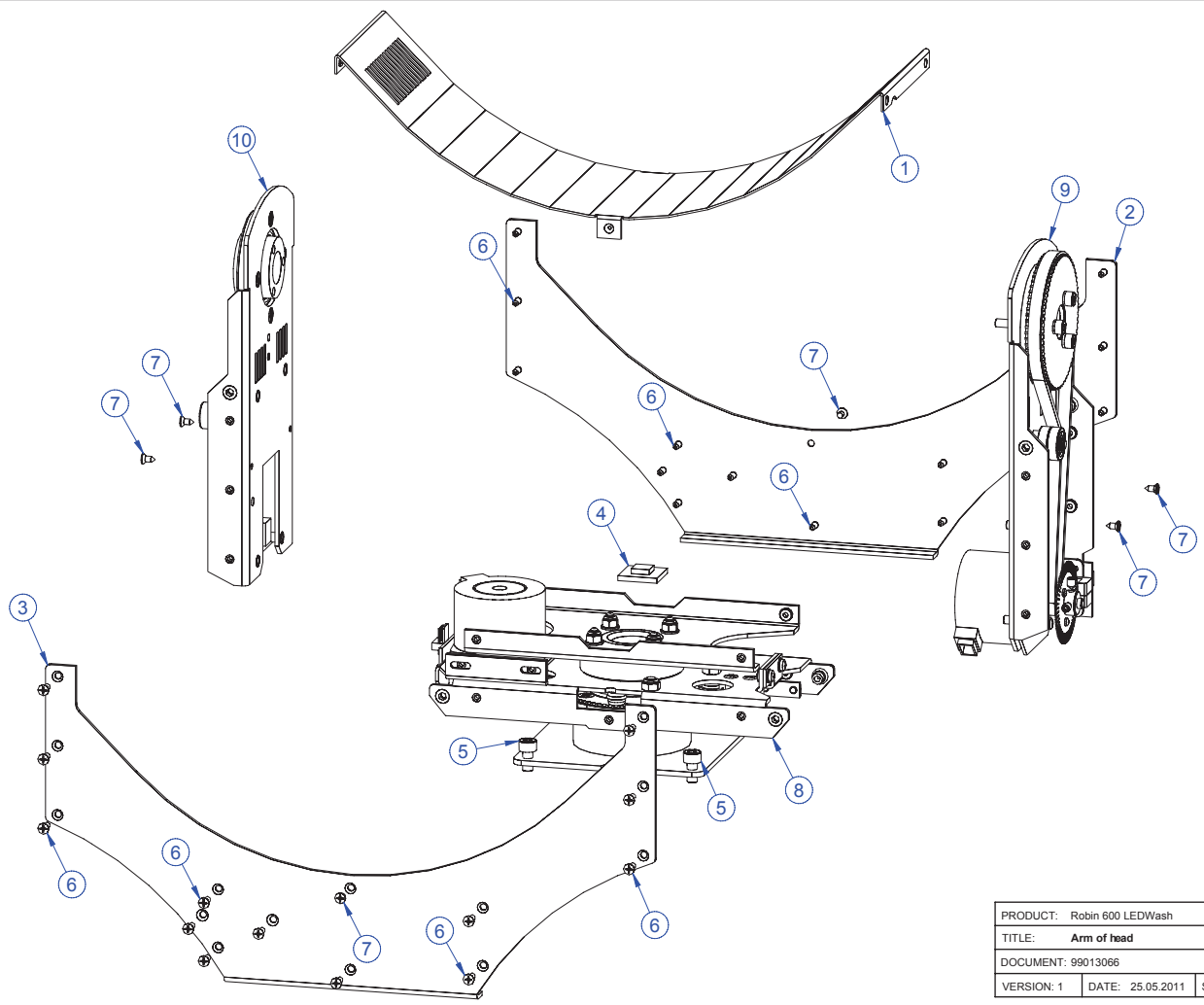
PRODUCT: Robin 600 LEDWash		
TITLE: Front module of head		
DOCUMENT: 99013070		
VERSION: 1	DATE: 03.10.2011	SHEET: 03 OF 10



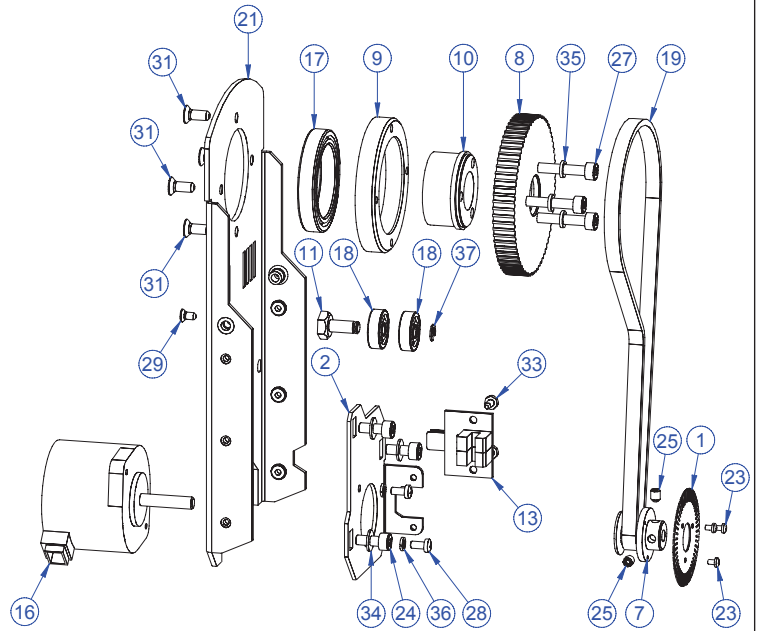
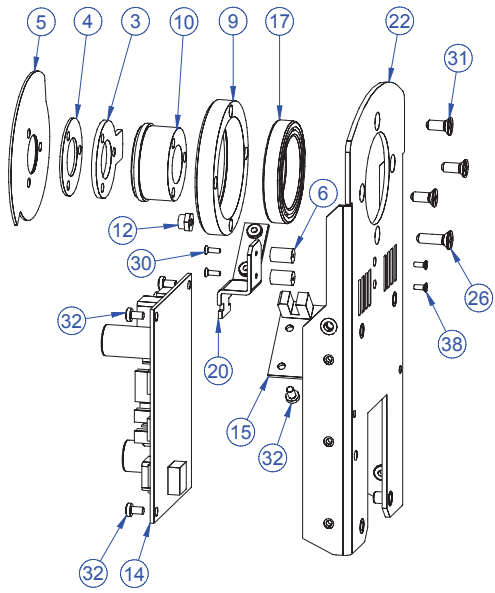
PRODUCT: Robin 600 LEDWash		
TITLE: Explode assembly		
DOCUMENT: 99013094.99013095.13030763		
VERSION: 1	DATE: 25.05.2011	SHEET: 04 OF 10



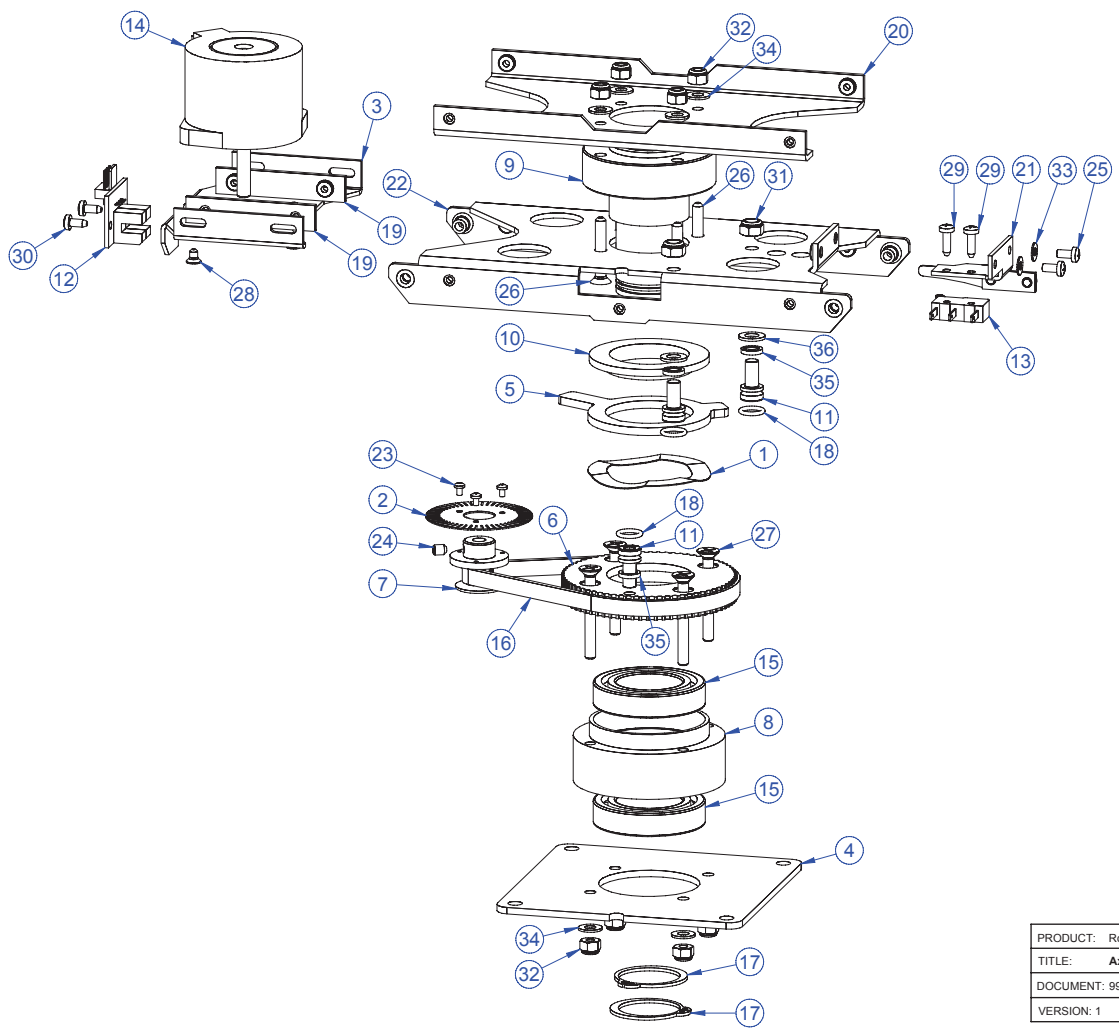
PRODUCT: Robin 600 LEDWash		
TITLE: Rear module of head		
DOCUMENT: 99013070		
VERSION: 1	DATE: 25.05.2011	SHEET: 05 OF 10



PRODUCT: Robin 600 LEDWash		
TITLE: Arm of head		
DOCUMENT: 99013066		
VERSION: 1	DATE: 25.05.2011	SHEET: 06 OF 10

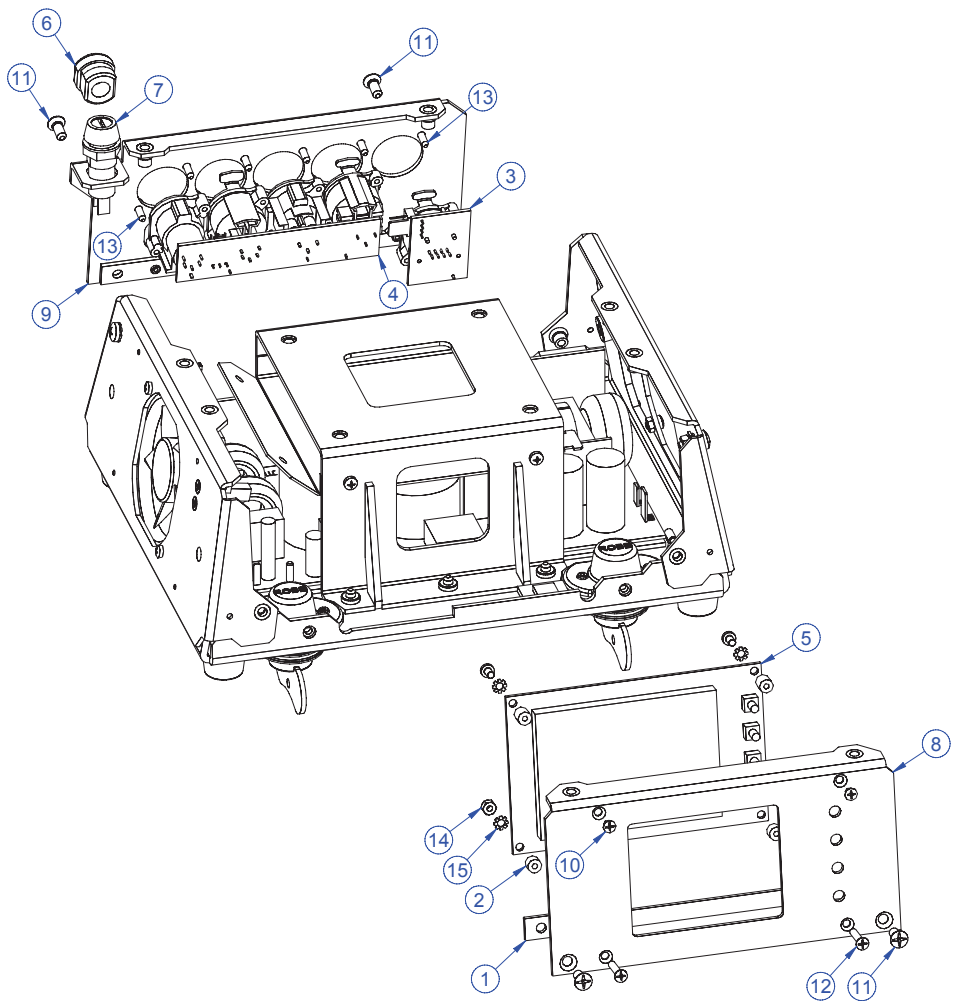


PRODUCT: Robin 600 LEDWash		
TITLE: Arm of axe "Y"		
DOCUMENT: 99013066		
VERSION: 1	DATE: 25.05.2011	SHEET: 07 OF 10

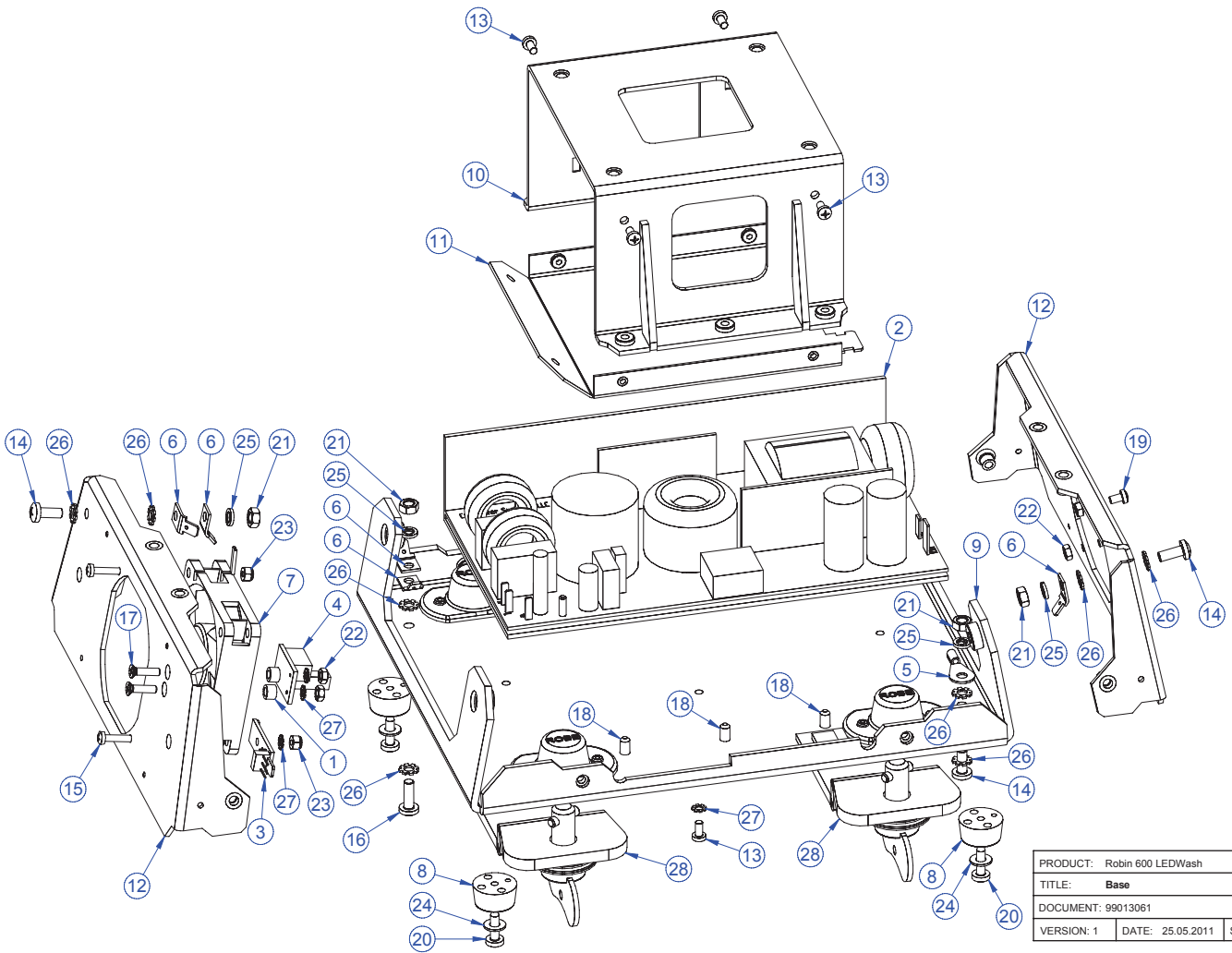


PRODUCT: Robin 600 LEDWash		
TITLE: Axe "X"		
DOCUMENT: 99013063		
VERSION: 1	DATE: 07.12.2010	SHEET: 08 OF 10





PRODUCT: Robin 600 LEDWash		
TITLE: Front and rear panel of base		
DOCUMENT: 99013061		
VERSION: 1	DATE: 07.12.2010	SHEET: 09 OF 10



PRODUCT: Robin 600 LEDWash		
TITLE: Base		
DOCUMENT: 99013061		
VERSION: 1	DATE: 25.05.2011	SHEET: 10 OF 10